

# E4.1 | Series E4.32 | Delivery program

Stable due to undercut design, medium inner height



...E4.32  
crossbars every link

Standard  
...H4.32  
crossbars every 2<sup>nd</sup> link

...R4.32  
fully enclosed

e-chains® | Series E4.32 crossbars every link (crossbars removable along both radii)

e-chains® | Series H4.32 crossbars every 2<sup>nd</sup> link (crossbars removable along both radii)

e-tubes | Series R4.32 fully enclosed (hinged snap-open removable lids along outer radius)

Part No. e-chains® / e-tubes	Bi [mm]	Ba [mm]	E4.32 [kg/m]	H4.32 [kg/m]	R4.32 [kg/m]	Part No. e-chains® / e-tubes	Bi [mm]	Ba [mm]	E4.32 [kg/m]	H4.32 [kg/m]	R4.32 [kg/m]
E4. H4. R4. 32. 05. R.0	50	73	1,567	1,425	2,450	E4. H4. - 32. 212. R.0	212	236	2,568	1,925	-
E4. H4. - 32. 06. R.0	68	91	1,697	1,49	-	E4. H4. - 32. 23. R.0	225	248	2,669	1,976	-
E4. H4. R4. 32. 07. R.0	75	98	1,730	1,507	2,570	E4. H4. - 32. 237. R.0	237	261	2,698	1,990	-
E4. H4. - 32. 087. R.0	87	110	1,803	1,543	-	E4. H4. R4. 32. 25. R.0	250	273	2,834	2,059	3,860
E4. H4. - 32. 097. R.0	97	120	1,867	1,575	-	E4. H4. - 32. 262. R.0	262	286	2,917	2,100	-
E4. H4. R4. 32. 10. R.0	100	123	1,886	1,584	2,650	E4. H4. - 32. 28. R.0	275	298	2,989	2,136	-
E4. H4. R4. 32. 11. R.0	108	131	1,942	1,612	2,760	E4. H4. - 32. 29. R.0	287	311	3,023	2,153	-
E4. H4. - 32. 112. R.0	112	136	1,956	1,619	-	E4. H4. R4. 32. 30. R.0	300	323	3,151	2,217	4,250
E4. H4. R4. 32. 12. R.0	125	148	2,069	1,676	2,850	E4. H4. - 32. 312. R.0	312	336	3,175	2,229	-
E4. H4. - 32. 137. R.0	137	161	2,122	1,702	-	E4. H4. - 32. 325. R.0	325	348	3,277	2,280	-
E4. H4. R4. 32. 15. R.0	150	173	2,212	1,747	3,010	E4. H4. - 32. 337. R.0	337	361	3,338	2,311	-
E4. H4. - 32. 162. R.0	162	186	2,240	1,762	-	E4. H4. - 32. 350. R.0	350	373	3,565	2,424	-
E4. H4. R4. 32. 17. R.0	168	191	2,323	1,803	3,210	E4. H4. - 32. 362. R.0	362	386	3,662	2,473	-
E4. H4. - 32. 18. R.0	175	198	2,345	1,814	-	E4. H4. - 32. 375. R.0	375	398	3,735	2,509	-
E4. H4. - 32. 187. R.0	187	211	2,392	1,837	-	E4. H4. - 32. 387. R.0	387	411	3,803	2,543	-
E4. H4. R4. 32. 20. R.0	200	223	2,518	1,900	3,410	E4. H4. - 32. 400. R.0	400	423	3,868	2,575	-

\*Radius not available for e-tubes 1) Removable lid only, no hinged option

Available bending radii  $R$  [mm] 063\* | 075\* | 100\* | 125 | 150 | 175 | 200 | 220 | 250 | 300

Supplement Part No. with required radius ( $R$ ). Examples:

E4.32.30.300.0 = e-chain® with crossbars every link, inner width  $Bi$  300 mm, radius  $R$  300 mm, color black

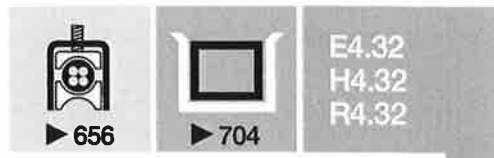
H4.32.30.300.0 = e-chain® with crossbars every 2<sup>nd</sup> link, inner width  $Bi$  300 mm, radius  $R$  300 mm, color black

R4.32.30.300.0 = e-tube fully enclosed, inner width  $Bi$  300 mm, radius  $R$  300 mm, color black

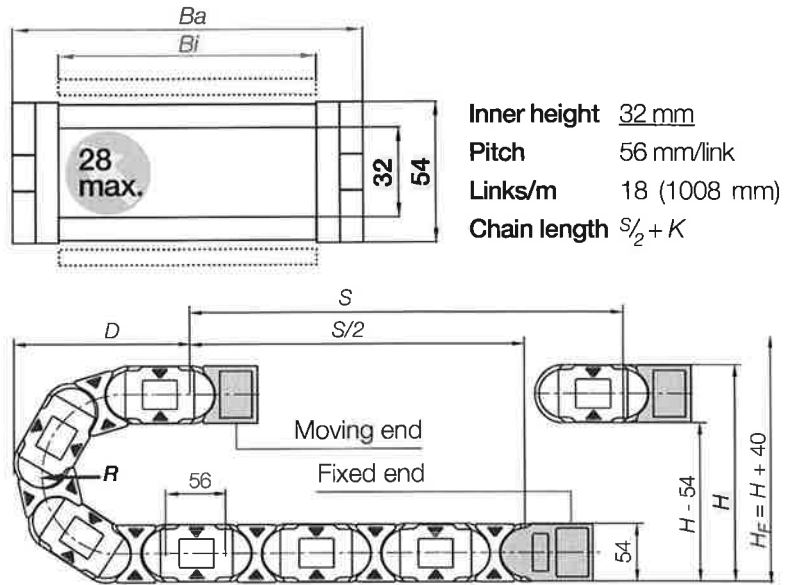
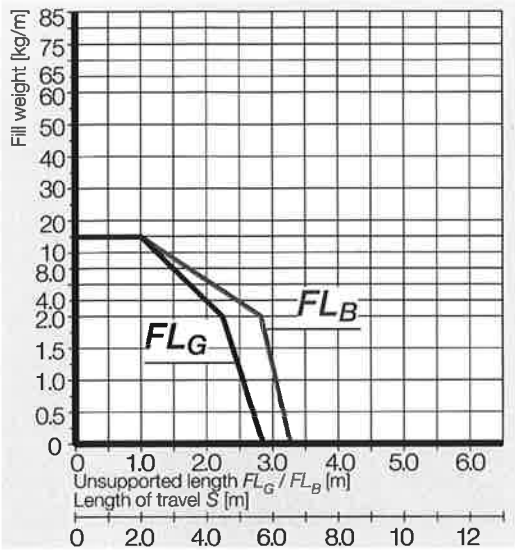


ESD/ATEX permanently conductive e-chains® - E4.32 several widths with delivery from stock:  
Inner widths  $Bi$  50 - 200, radii  $R$  63 - 250. Full ESD delivery program ► [www.igus.eu/ESD](http://www.igus.eu/ESD)

# E4.1 | Series E4.32 | Dimensions



## Unsupported applications | Short travels



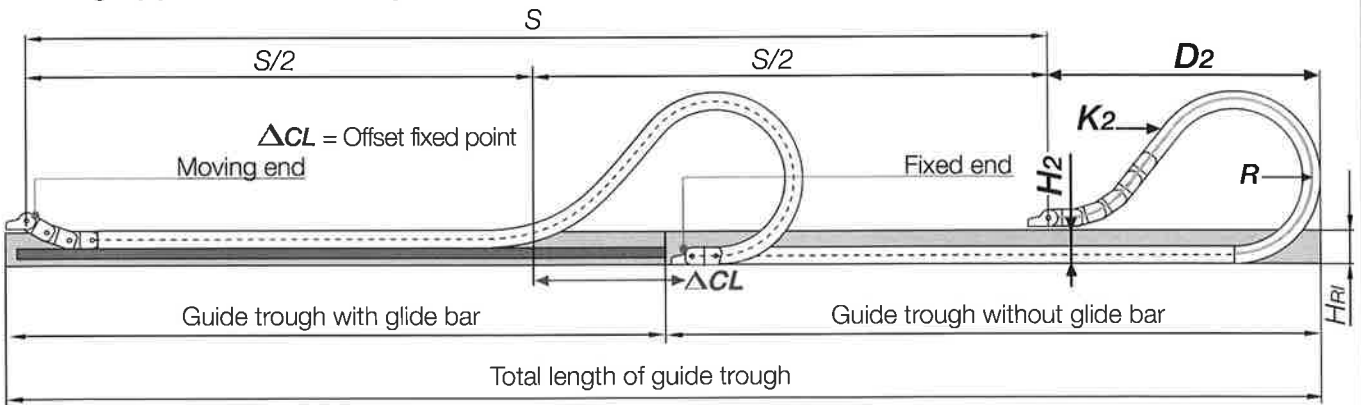
Inner height 32 mm  
 Pitch 56 mm/link  
 Links/m 18 (1008 mm)  
 Chain length  $S/2 + K$

R	063*	075*	100	125	150	175	200	220	250	300
$H + 20$	180	204	254	304	354	404	454	494	554	654
D	174	186	211	236	261	286	311	331	361	411
K	310	350	430	505	585	665	745	805	900	1055

The required clearance height:  $H_F = H + 40$  mm (with 2,0 kg/m fill weight)

\*Radius not available for e-tubes

## Gliding applications | Long travels from 10 m to max. 200 m



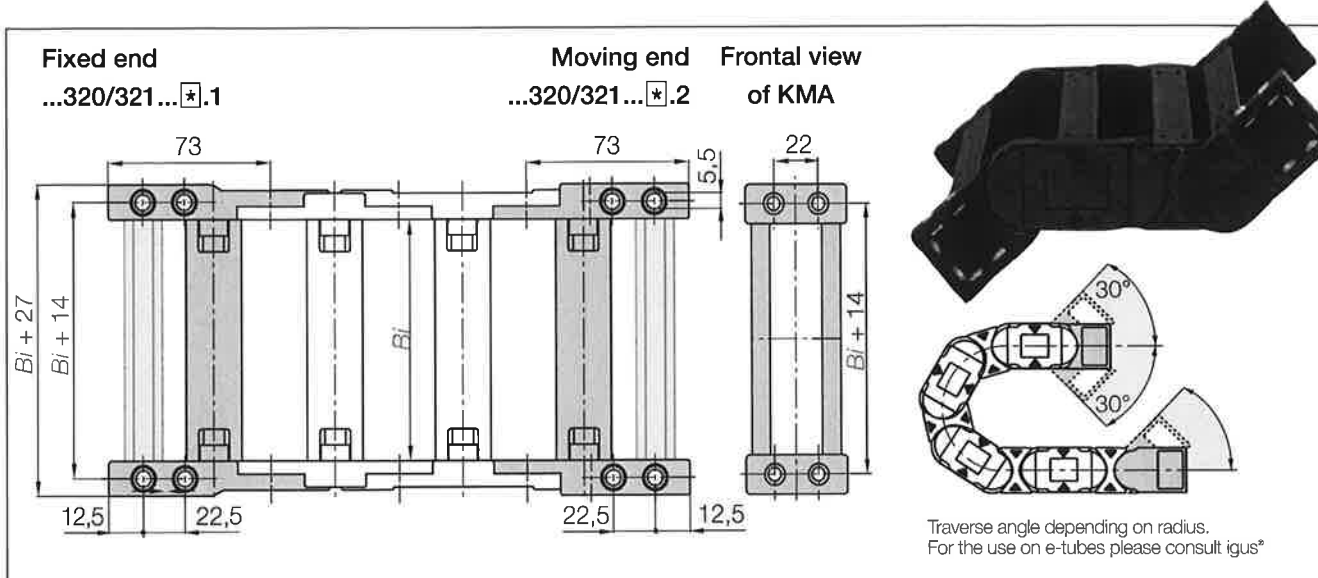
**Note:** For long travel applications we recommend to realize the engineering of such a plant by our technicians. In case of travels between 7 and 10 m we recommend a longer unsupported length. Chain length  $S/2 + K_2$

R	063*	075*	100*	125	150	175	200	220	250	300
$H_2$	126	150	166	166	166	166	166	166	166	166
$D_2 + 25$	146	158	370	470	500	655	770	900	930	1100
$K_2$	310	350	616	784	896	1120	1288	1456	1568	1904
$\Delta CL$	-	-	160	210	240	370	460	540	570	690

\*Radius not available for e-tubes

# E4.1 | Series E4.32 | Accessories

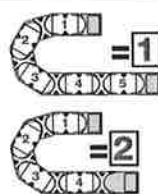
KMA mounting brackets | Attachment on all sides | pivoting | locking



**KMA pivoting | Recommended for unsupported and gliding applications | Standard KMA locking | Recommended for vertical hanging and standing applications**

Width Index	Part No. full set KMA pivoting:	Part No. full set KMA locking:	Bi [mm]	Width Index	Part No. full set KMA pivoting:	Part No. full set KMA locking:	Bi [mm]
05.	E4. R4. 320.05 [*].12.C	E4. R4. 321.05 [*].12.C	50	212.	E4. - 320.212.[*].12.C	E4. - 321.212.[*].12.C	212
06.	E4. - 320.06 [*].12.C	E4. - 321.06 [*].12.C	68	23.	E4. - 320.23 [*].12.C	E4. - 321.23 [*].12.C	225
07.	E4. R4. 320.07 [*].12.C	E4. R4. 321.07 [*].12.C	75	237.	E4. - 320.237.[*].12.C	E4. - 321.237.[*].12.C	237
087.	E4. - 320.087.[*].12.C	E4. - 321.087.[*].12.C	87	25.	E4. R4. 320.25 [*].12.C	E4. R4. 321.25 [*].12.C	250
09.	E4. - 320.097.[*].12.C	E4. - 321.09 [*].12.C	97	262.	E4. - 320.262.[*].12.C	E4. - 321.262.[*].12.C	262
10.	E4. R4. 320.10 [*].12.C	E4. R4. 321.10 [*].12.C	100	28.	E4. - 320.28 [*].12.C	E4. - 321.28 [*].12.C	275
11.	E4. R4. 320.11 [*].12.C	E4. R4. 321.11 [*].12.C	108	29.	E4. - 320.29 [*].12.C	E4. - 321.29 [*].12.C	287
112.	E4. - 320.112.[*].12.C	E4. - 321.112.[*].12.C	112	30.	E4. R4. 320.30 [*].12.C	E4. R4. 321.30 [*].12.C	300
12.	E4. R4. 320.12 [*].12.C	E4. R4. 321.12 [*].12.C	125	312.	E4. - 320.312.[*].12.C	E4. - 321.312.[*].12.C	312
137.	E4. - 320.137.[*].12.C	E4. - 321.137.[*].12.C	137	325.	E4. - 320.325.[*].12.C	E4. - 321.325.[*].12.C	325
15.	E4. R4. 320.15 [*].12.C	E4. R4. 321.15 [*].12.C	150	337.	E4. - 320.337.[*].12.C	E4. - 321.337.[*].12.C	337
162.	E4. - 320.162.[*].12.C	E4. - 321.162.[*].12.C	162	350.	E4. - 320.350.[*].12.C	E4. - 321.350.[*].12.C	350
17.	E4. R4. 320.17 [*].12.C	E4. R4. 321.17 [*].12.C	168	362.	E4. - 320.362.[*].12.C	E4. - 321.362.[*].12.C	362
18.	E4. - 320.18 [*].12.C	E4. - 321.18 [*].12.C	175	375.	E4. - 320.375.[*].12.C	E4. - 321.375.[*].12.C	375
187.	E4. - 320.187.[*].12.C	E4. - 321.187.[*].12.C	187	387.	E4. - 320.387.[*].12.C	E4. - 321.387.[*].12.C	387
20.	E4. R4. 320.20 [*].12.C	E4. R4. 321.20 [*].12.C	200	400.	E4. - 320.400.[*].12.C	E4. - 321.400.[*].12.C	400

**Note\*:** The E4.1 may end with either an inner or an outer side link. An outer side link always forms the first e-chain® link at the moving end. The Part No. depend on an even or odd numbers of links. Please insert: Index **1** (for odd) or **2** (for even). For the **preassembled** mode please add index **A**.



**E4.320.30.2.12.CA Part No. structure**

- A... must be indicated on preassembled configurations
- C-profile option
- Full set
- Even numbers of links
- Width index
- Series

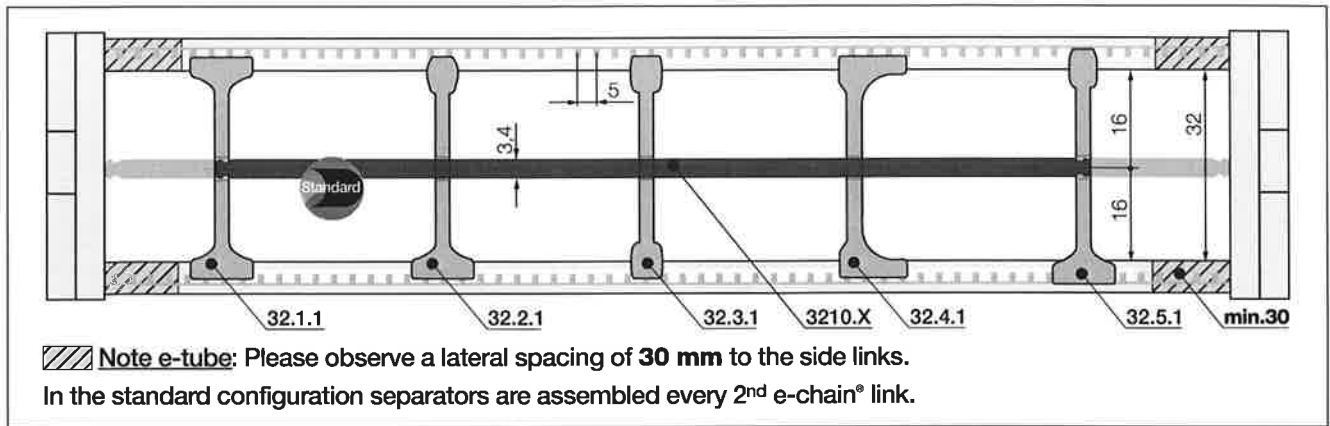


Strain relief e.g. clamps, tiewrap plates, nuggets and plug-in clips are available from stock. The complete chainfix range with order options ▶ from page 656

# E4.1 | Series E4.32 | Accessories

## Interior separation | New generation

Previous interior separation with optional elements ► [www.igus.eu/E4.32](http://www.igus.eu/E4.32)



		<b>Standard separator, wide base</b> unassembled <b>32.1</b> assembled <b>32.1.1</b>
		<b>Separator for QuickLock crossbar</b> unassembled <b>32.2</b> assembled <b>32.2.1</b>
		<b>Separator, narrow base</b> unassembled <b>32.3</b> assembled <b>32.3.1</b>
		<b>Separator, asymmetrical</b> unassembled <b>32.4</b> assembled <b>32.4.1</b>
		<b>Notch separator for notch crossbar</b> unassembled <b>32.5</b> assembled <b>32.5.1</b>
		<b>Full-width shelf, lockable</b> unassembled <b>3200.X</b> assembled <b>3210.X</b>

### Standard - for all applications

Separator with a wide base for maximum locking strength and safe standing in e-chains® and e-tubes.

### For even faster installation

Separator for igus® QuickLock crossbar 385.X.Q. Firm hold to one side with a wide base, narrow on opposed side for easy cable assembly (slight grip). For e-tubes also.

### For many thin cables

Separator with a narrow base for a large number of thin cables side by side. Saves space in e-chains® and e-tubes. Also available for QuickLock crossbars.

### For side-mounted applications

Asymmetrical separator, for defined distance. No additional spacers necessary for e-chains® and e-tubes.

### Locks safely in 5 mm increments

Notch separator for exact positioning in e-chains®. Recommended for side-mounted applications.

### Horizontal separation

Shelf locks safely into separators on both ends, fixed width possible. Separators can be moved freely over the shelf in horizontal direction. Can be used at one height.

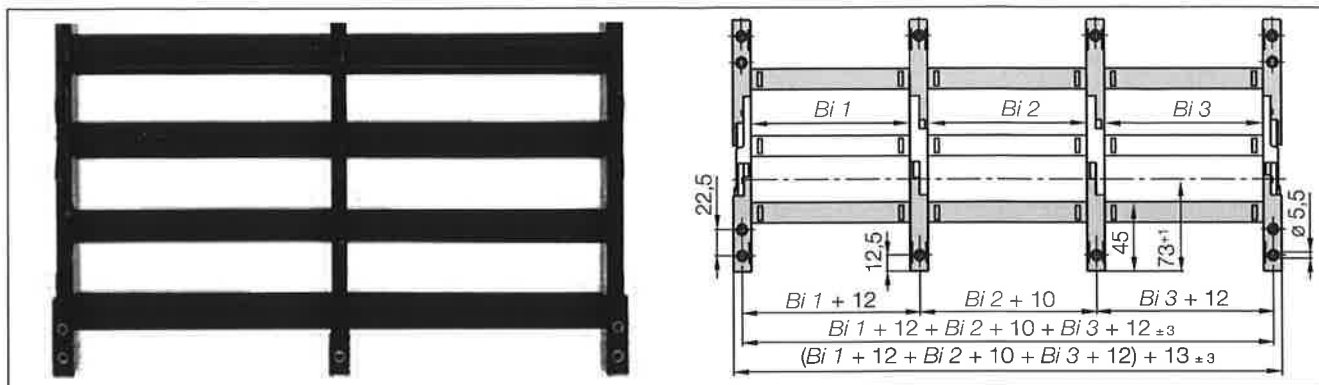
### Lockable full-width shelves



Width X [mm]	unassembled	assembled	Width X [mm]	unassembled	assembled	Width X [mm]	unassembled	assembled
050	3200.050	3210.050	125	3200.125	3210.125	225	3200.225	3210.225
075	3200.075	3210.075	150	3200.150	3210.150	250	3200.250	3210.250
100	3200.100	3210.100	175	3200.175	3210.175			
115	3200.115	3210.115	200	3200.200	3210.200			

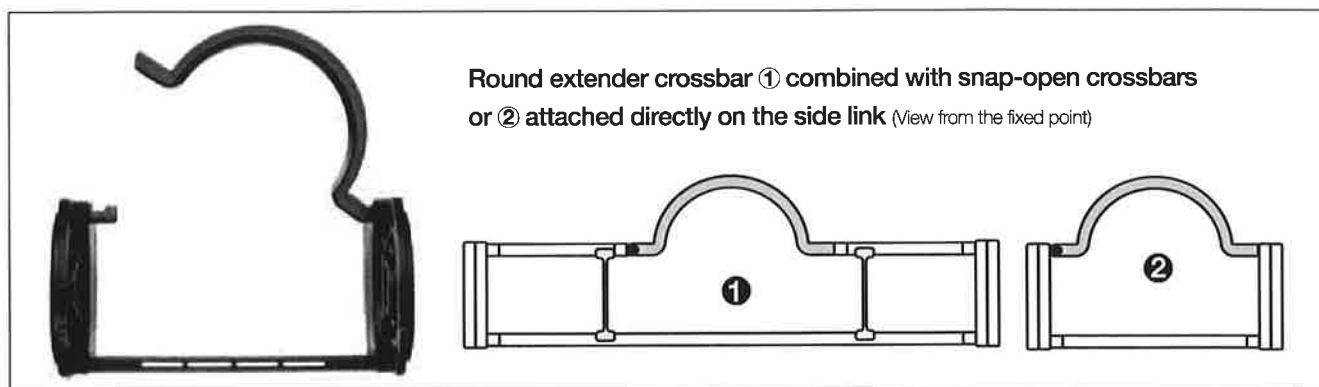
## E4.1 | Series E4.32 | Further Accessories

### Extension links | Extender crossbars



#### Extension links | For extremely wide e-chains® up to 3,0 m

- Virtually limitless side-by-side attachment for high fill weights necessitate extremely wide e-chains® (up to 3000 mm)
- The unsupported length  $FL_G$  max. can be increased when additional loads are required



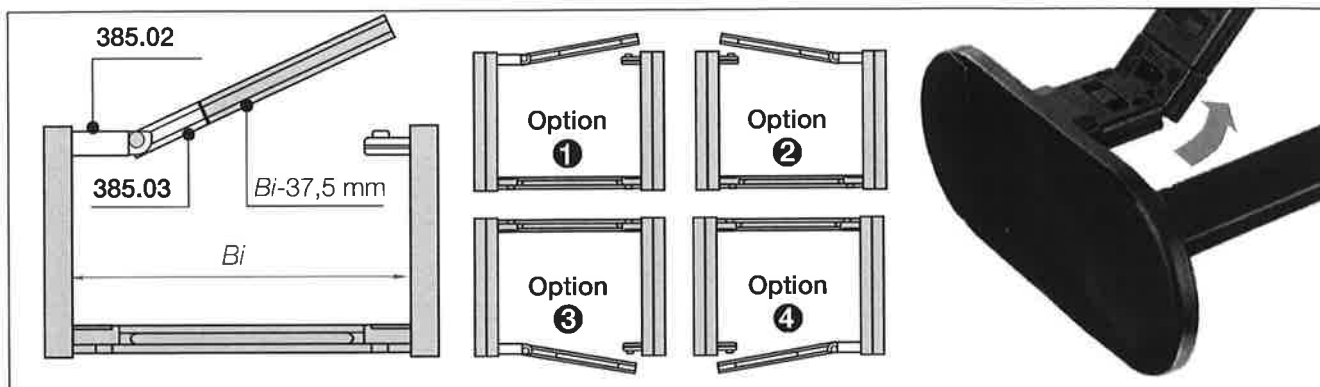
Round extender crossbar ① combined with snap-open crossbars or ② attached directly on the side link (View from the fixed point)

#### Extender crossbars | Safe guiding for large hoses

- Suitable for hoses with a maximum outer diameter of 245 mm
- Gliding with crossbars assembled along outer radius and a special guide trough
- Extender crossbar ① for snap-open crossbars or ② attached directly on the side link

Part No. single part	Max Ø [mm] hose	Form	② Installation on side link	① Combination with snap-open crossbars
385.15.RHD115	105	○ round	no	yes
385.18.RD115	105	○ round	yes	no

## E4.1 | Series E4.32 | Further Accessories



### Hinged crossbars | When snap-open crossbars have to remain attached

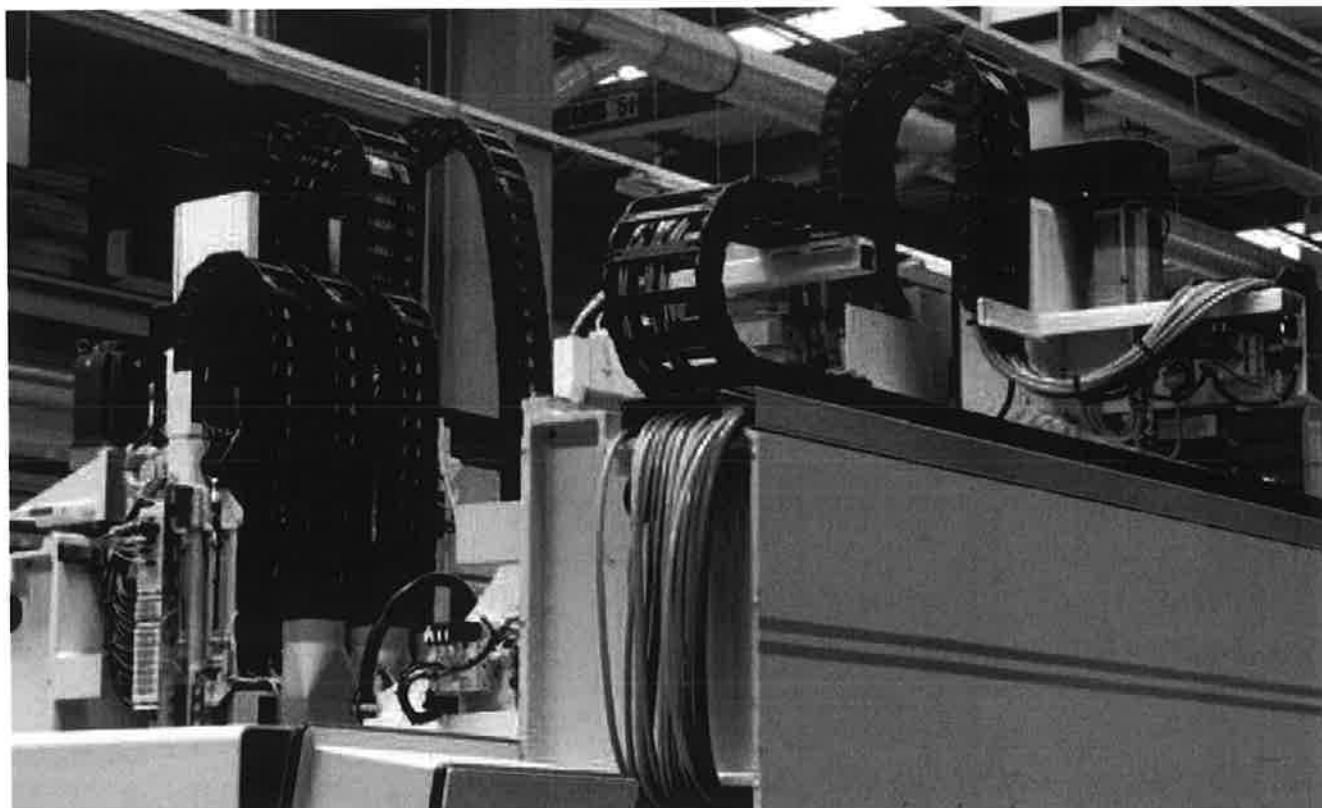
- Please consult igus® for design assistance
- Hinged crossbar: Part No. 385.02
- Snap-open crossbar (shortened):  $Bi-37,5$  mm Part No. 385.03 (smallest inner width  $Bi = 87,5$ )

### Optional: Support tray tool kit.

#### For support of the lower run.

Simple one-piece support trays according to your requirements and specification.

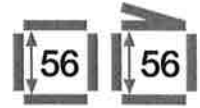
The complete range with order options ► from page 740



Many e-chains® are used in this customized CNC-machine for the woodworking industry

# E4.1 | Series E4.56 | Delivery program

Stable due to undercut design, large inner height



e-chains® | Series E4.56 crossbars every link (crossbars removable along both radii)

e-chains® | Series H4.56 crossbars every 2<sup>nd</sup> link (crossbars removable along both radii)

e-tubes | Series R4.56 fully enclosed (hinged snap-open removable lids along outer radius)

Part No. e-chains® / e-tubes	Bi [mm]	Ba [mm]	E4.56 [kg/m]	H4.56 [kg/m]	R4.56 [kg/m]	Part No. e-chains® / e-tubes	Bi [mm]	Ba [mm]	E4.56 [kg/m]	H4.56 [kg/m]	R4.56 [kg/m]
E4. H4. – 56. 05. R.0	50	84	3,301	3,158	–	E4. H4. – 56. 31. R.0	312	347	5,214	4,114	–
E4. H4. – 56. 06. R.0	65	99	3,390	3,202	–	E4. H4. – 56. 32. R.0	325	359	5,317	4,166	–
E4. H4. R4.1) 56. 07. R.0	75	109	3,458	3,236	3,910	E4. H4. – 56. 33. R.0	337	372	5,437	4,225	–
E4. H4. – 56. 08. R.0	87	121	3,538	3,276	–	E4. H4. R4. 56. 35. R.0	350	384	5,639	4,326	7,650
E4. H4. R4. 56. 10. R.0	100	134	3,633	3,323	4,200	E4. H4. – 56. 36. R.0	362	397	5,549	4,282	–
E4. H4. – 56. 11. R.0	112	147	3,749	3,382	–	E4. H4. – 56. 37. R.0	375	409	5,646	4,330	–
E4. H4. R4. 56. 12. R.0	125	159	3,827	3,420	4,560	E4. H4. – 56. 38. R.0	387	422	5,762	4,388	–
E4. H4. – 56. 13. R.0	137	172	3,963	3,488	–	E4. H4. R4. 56. 40. R.0	400	434	6,031	4,523	8,650
E4. H4. R4. 56. 15. R.0	150	184	4,000	3,507	4,940	E4. H4. – 56. 41. R.0	412	447	5,955	4,484	–
E4. H4. – 56. 16. R.0	162	197	4,113	3,563	–	E4. H4. – 56. 42. R.0	425	459	6,247	4,630	–
E4. H4. R4. 56. 17. R.0	175	209	4,245	3,630	5,250	E4. H4. – 56. 43. R.0	437	472	6,090	4,552	–
E4. H4. – 56. 18. R.0	187	222	4,357	3,685	–	E4. H4. – 56. 45. R.0	450	484	6,420	4,717	–
E4. H4. R4. 56. 20. R.0	200	234	4,413	3,713	5,560	E4. H4. R4. 56. 46. R.0	462	497	6,372	4,693	9,118
E4. H4. – 56. 21. R.0	212	247	4,484	3,749	–	E4. H4. – 56. 47. R.0	475	509	6,412	4,713	–
E4. H4. – 56. 22. R.0	225	259	4,553	3,784	–	E4. H4. – 56. 48. R.0	487	522	6,658	4,836	–
E4. H4. – 56. 23. R.0	237	272	4,663	3,838	–	E4. H4. – 56. 50. R.0	500	534	6,755	4,885	–
E4. H4. R4. 56. 25. R.0	250	284	4,774	3,894	6,290	E4. H4. – 56. 51. R.0	512	547	6,668	4,841	–
E4. H4. – 56. 26. R.0	262	297	4,865	3,939	–	E4. H4. – 56. 52. R.0	525	559	6,842	4,928	–
E4. H4. R4. 56. 27. R.0	275	309	4,967	3,990	6,650	E4. H4. – 56. 53. R.0	537	572	6,934	4,974	–
E4. H4. – 56. 28. R.0	287	322	5,025	4,019	–	E4. H4. – 56. 55. R.0	550	584	7,355	5,184	–
E4. H4. R4. 56. 30. R.0	300	334	5,177	4,095	6,950	E4. H4. – 56. 60. R.0	600	634	7,584	5,299	–

\*Radius not available for e-tubes 1) Removable lid only, no hinged option

Available bending radii *R* [mm] 135\* | 150 | 175 | 200 | 240 | 250 | 300 | 350 | 400 | 450 | 500

Supplement Part No. with required radius (*R*). Examples:

E4.56.30.300.0 = e-chain® with crossbars every link, inner width *Bi* 300 mm, radius *R* 300 mm, color black

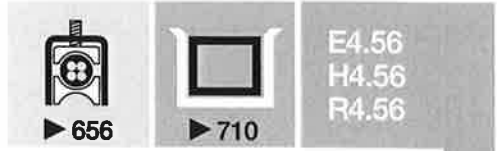
H4.56.30.300.0 = e-chain® with crossbars every 2<sup>nd</sup> link, inner width *Bi* 300 mm, radius *R* 300 mm, color black

R4.56.30.300.0 = e-tube fully enclosed, inner width *Bi* 300 mm, radius *R* 300 mm, color black

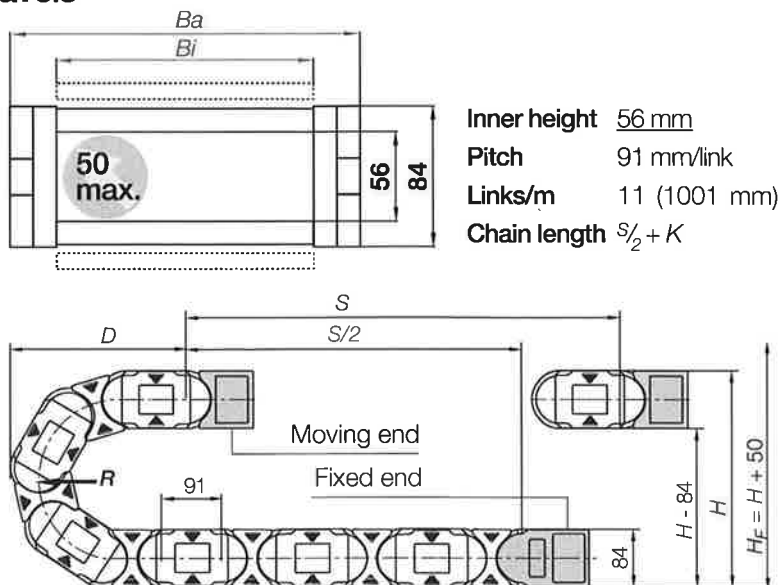
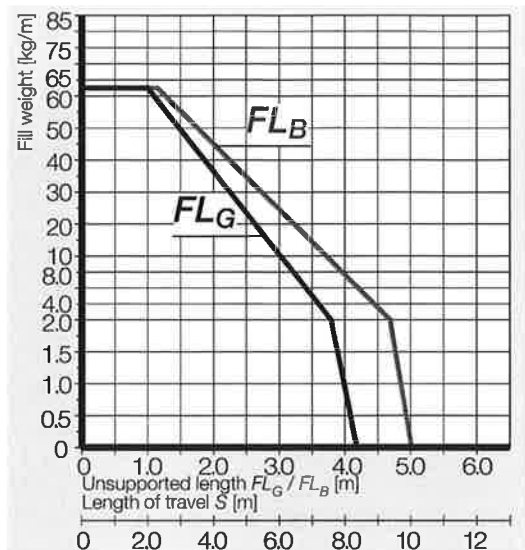


ESD/ATEX permanently conductive e-chains® - E4.56 several widths with delivery from stock:  
Inner widths *Bi* 75 - 300, radii *R* 135 - 250. Full ESD delivery program ► [www.igus.eu/ESD](http://www.igus.eu/ESD)

# E4.1 | Series E4.56 | Dimensions



## Unsupported applications | Short travels



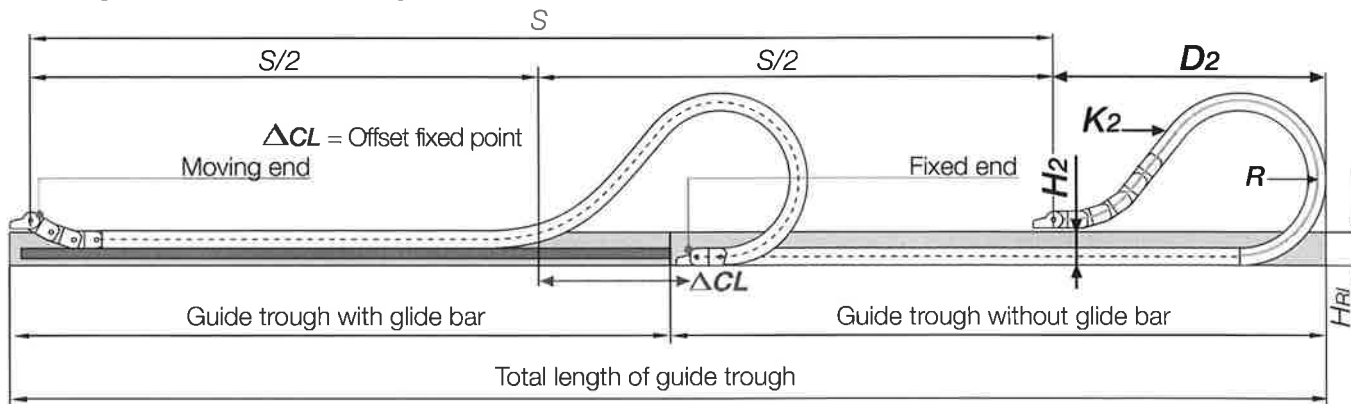
**Inner height** 56 mm  
**Pitch** 91 mm/link  
**Links/m** 11 (1001 mm)  
**Chain length**  $\frac{S}{2} + K$

R	135*	150	175	200	240	250	300	350	400	450	500
$H_{+25}^0$	354	384	434	484	564	584	684	784	884	984	1084
D	314	329	354	379	419	429	479	529	579	629	679
K	610	655	735	815	940	970	1125	1285	1440	1600	1755

The required clearance height:  $H_F = H + 50$  mm (with 3,0 kg/m fill weight)

\*Radius not available for e-tubes

## Gliding applications | Long travels from 12 m to max. 400 m



**Note:** For long travel applications we recommend to realize the engineering of such a plant by our technicians.

In case of travels between 10 and 12 m we recommend a longer unsupported length. **Chain length**  $\frac{S}{2} + K_2$

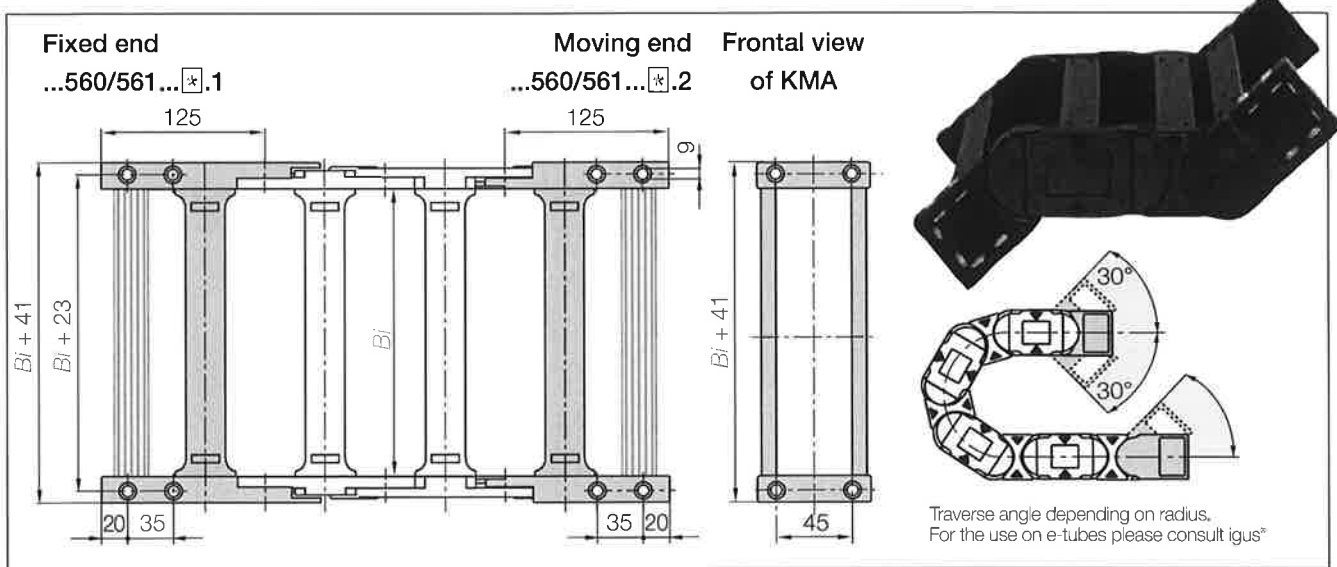
R	135*	150	175	200	240	250	300	350	400	450	500
$H_2$	270	266	266	266	266	266	266	266	266	266	266
$D_2^{+25}$	268	450	580	710	900	980	1180	1440	1530	1700	1850
$K_2$	610	819	1092	1274	1547	1638	2002	2275	2548	2912	3276
$\Delta CL$	-	159	259	359	509	559	709	909	959	1059	1159

\*Radius not available for e-tubes



# E4.1 | Series E4.56 | Accessories

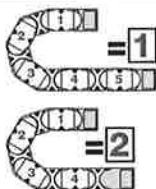
KMA mounting brackets | Attachment on all sides | pivoting | locking



**KMA pivoting** | Recommended for unsupported and gliding applications | **Standard KMA locking** | Recommended for vertical hanging and standing applications

Width Index	Part No. full set KMA pivoting:	Part No. full set KMA locking:	Bi [mm]	Width Index	Part No. full set KMA pivoting:	Part No. full set KMA locking:	Bi [mm]
05.	E4. - 560.05.*.12.C	E4. - 561.05.*.12.C	50	31.	E4. - 560.31.*.12.C	E4. - 561.31.*.12.C	312
06.	E4. - 560.06.*.12.C	E4. - 561.06.*.12.C	65	32.	E4. - 560.32.*.12.C	E4. - 561.32.*.12.C	325
07.	E4. R4.560.07.*.12.C	E4. R4.561.07.*.12.C	75	33.	E4. - 560.33.*.12.C	E4. - 561.33.*.12.C	337
08.	E4. - 560.08.*.12.C	E4. - 561.08.*.12.C	87	35.	E4. R4.560.35.*.12.C	E4. R4.561.35.*.12.C	350
10.	E4. R4.560.10.*.12.C	E4. R4.561.10.*.12.C	100	36.	E4. - 560.36.*.12.C	E4. - 561.36.*.12.C	362
11.	E4. - 560.11.*.12.C	E4. - 561.11.*.12.C	112	37.	E4. - 560.37.*.12.C	E4. - 561.37.*.12.C	375
12.	E4. R4.560.12.*.12.C	E4. R4.561.12.*.12.C	125	38.	E4. - 560.38.*.12.C	E4. - 561.38.*.12.C	387
13.	E4. - 560.13.*.12.C	E4. - 561.13.*.12.C	137	40.	E4. R4.560.40.*.12.C	E4. R4.561.40.*.12.C	400
15.	E4. R4.560.15.*.12.C	E4. R4.561.15.*.12.C	150	41.	E4. - 560.41.*.12.C	E4. - 561.41.*.12.C	412
16.	E4. - 560.16.*.12.C	E4. - 561.16.*.12.C	162	42.	E4. - 560.42.*.12.C	E4. - 561.42.*.12.C	425
17.	E4. R4.560.17.*.12.C	E4. R4.561.17.*.12.C	175	43.	E4. - 560.43.*.12.C	E4. - 561.43.*.12.C	437
18.	E4. - 560.18.*.12.C	E4. - 561.18.*.12.C	187	45.	E4. - 560.45.*.12.C	E4. - 561.45.*.12.C	450
20.	E4. R4.560.20.*.12.C	E4. R4.561.20.*.12.C	200	46.	E4. R4.560.46.*.12.C	E4. R4.561.46.*.12.C	462
21.	E4. - 560.21.*.12.C	E4. - 561.21.*.12.C	212	47.	E4. - 560.47.*.12.C	E4. - 561.47.*.12.C	475
22.	E4. - 560.22.*.12.C	E4. - 561.22.*.12.C	225	48.	E4. - 560.48.*.12.C	E4. - 561.48.*.12.C	487
23.	E4. - 560.23.*.12.C	E4. - 561.23.*.12.C	237	50.	E4. - 560.50.*.12.C	E4. - 561.50.*.12.C	500
25.	E4. R4.560.25.*.12.C	E4. R4.561.25.*.12.C	250	51.	E4. - 560.51.*.12.C	E4. - 561.51.*.12.C	512
26.	E4. - 560.26.*.12.C	E4. - 561.26.*.12.C	262	52.	E4. - 560.52.*.12.C	E4. - 561.52.*.12.C	525
27.	E4. R4.560.27.*.12.C	E4. R4.561.27.*.12.C	275	53.	E4. - 560.53.*.12.C	E4. - 561.53.*.12.C	537
28.	E4. - 560.28.*.12.C	E4. - 561.28.*.12.C	287	55.	E4. - 560.55.*.12.C	E4. - 561.55.*.12.C	550
30.	E4. R4.560.30.*.12.C	E4. R4.561.30.*.12.C	300	60.	E4. - 560.60.*.12.C	E4. - 561.60.*.12.C	600

**Note\***: The E4.1 may end with either an inner or an outer side link. An outer side link always forms the first e-chain® link at the moving end. The Part No. depend on an even or odd numbers of links. Please insert: Index **1** (for odd) or **2** (for even). For the **preassembled** mode please add index **A**.



**E4.560.30.2.12.C A** Part No. structure

- A... must be indicated on preassembled configurations
- C-profile option
- Full set
- Even numbers of links
- Width index
- Series



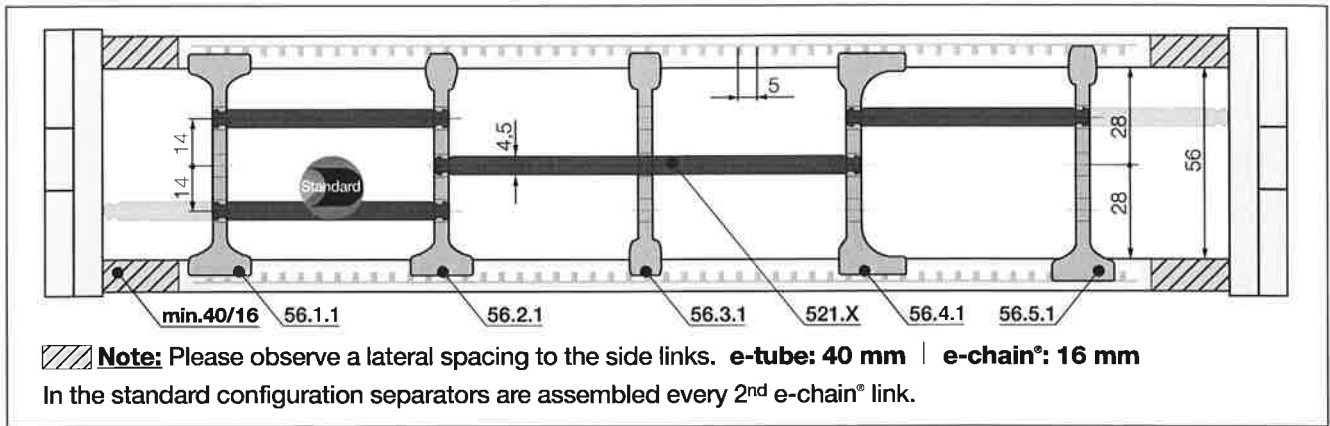
Strain relief e.g. clamps, tie-wrap plates, nuggets and plug-in clips are available from stock. The complete chainfix range with order options ▶ from page 656

# E4.1 | Series E4.56 | Accessories

E4.56  
H4.56  
R4.56

## Interior separation | New generation

Previous interior separation with optional elements ► [www.igus.eu/E4.56](http://www.igus.eu/E4.56)



		<b>Standard separator, wide base</b> unassembled <b>56.1</b> assembled <b>56.1.1</b>
		<b>Separator for QuickLock crossbar</b> unassembled <b>56.2</b> assembled <b>56.2.1</b>
		<b>Separator, narrow base</b> unassembled <b>56.3</b> assembled <b>56.3.1</b>
		<b>Separator, asymmetrical</b> unassembled <b>56.4</b> assembled <b>56.4.1</b>
		<b>Notch separator for notch crossbar</b> unassembled <b>56.5</b> assembled <b>56.5.1</b>
		<b>Full-width shelf, lockable</b> unassembled <b>520.X</b> assembled <b>521.X</b>

### Standard - for all applications

Separator with a wide base for maximum locking strength and safe standing in e-chains® and e-tubes.

### For even faster installation

Separator for igus® QuickLock crossbar 450.X.Q. Firm hold to one side with a wide base, narrow on opposed side for easy cable assembly (slight grip). For e-tubes also.

### For many thin cables

Separator with a narrow base for a large number of thin cables side by side. Saves space in e-chains® and e-tubes. Also available for QuickLock crossbars.

### For side-mounted applications

Asymmetrical separator, for defined distance. No additional spacers necessary for e-chains® and e-tubes.

### Locks safely in 5 mm increments

Notch separator for exact positioning in e-chains®. Recommended for side-mounted applications.

### Horizontal separation

Shelf locks safely into separators on both ends, fixed width possible. Separators can be moved freely over the shelf in horizontal direction. Can be arranged at 3 different heights.

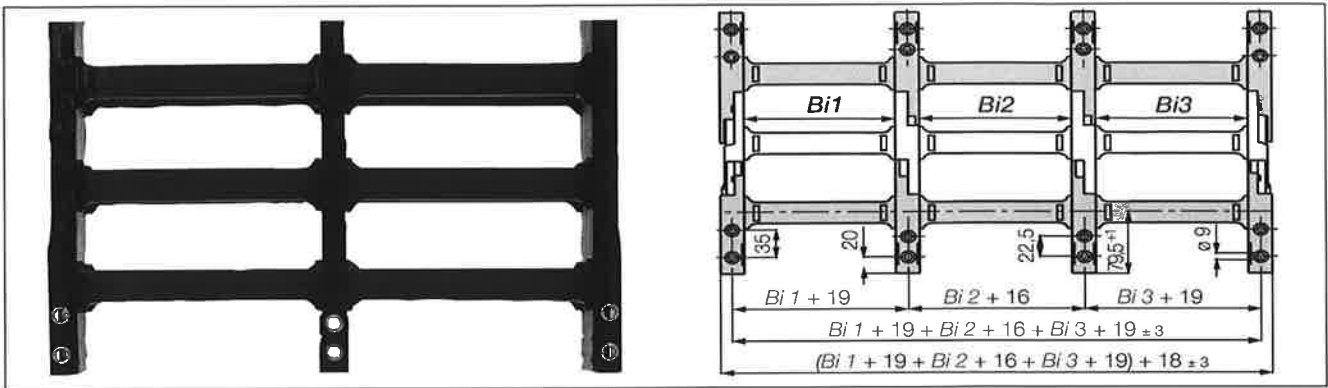
### Lockable full-width shelves



Width X [mm]	unassembled	assembled	Width X [mm]	unassembled	assembled	Width X [mm]	unassembled	assembled
050	520.050	521.050	150	520.150	521.150	300	520.300	521.300
065	520.065	521.065	175	520.175	521.175	350	520.350	521.350
075	520.075	521.075	200	520.200	521.200	375	520.375	520.375
100	520.100	521.100	225	520.225	521.225	387	520.387	520.387
125	520.125	521.125	250	520.250	521.250	450	520.450	521.450

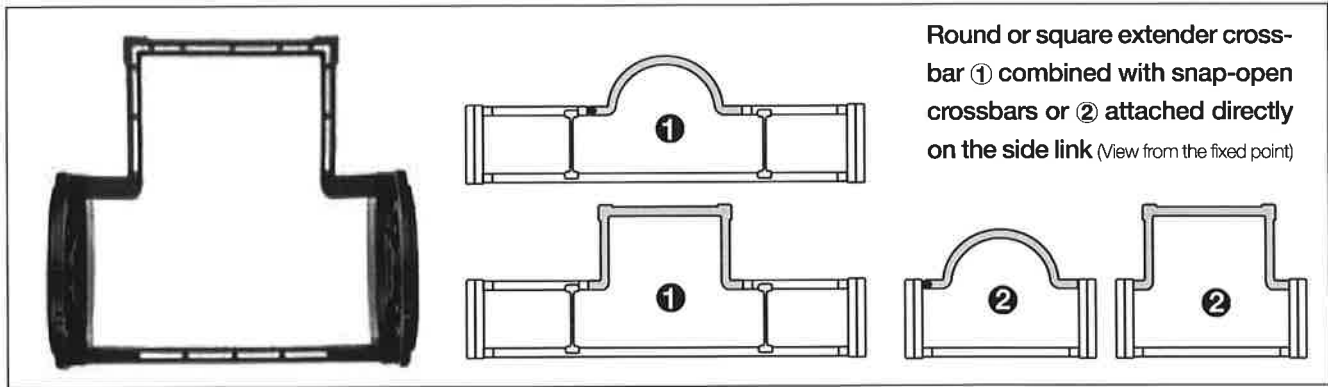
# E4.1 | Series E4.56 | Further Accessories

## Extension links | Extender crossbars



### Extension links | For extremely wide e-chains® up to 3,0 m

- Virtually limitless side-by-side attachment for high fill weights necessitate extremely wide e-chains® (up to 3000 mm)
- The unsupported length  $FL_G$  max. can be increased when additional loads are required



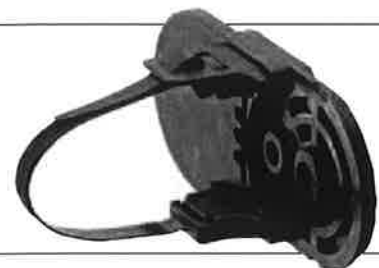
### Extender crossbars | Safe guiding for large hoses

- Suitable for hoses with a maximum outer diameter of 245 mm
- Gliding with crossbars assembled along outer radius and a special guide trough
- Extender crossbar ① for snap-open crossbars or ② attached directly on the side link

Part No. single part	Max Ø [mm] hose	Form	② Installation on side link	① Combination with snap-open crossbars
450.15.RHD115	115	○ round	no	yes
450.17.RD115	115	○ round	yes	no
450.25.D150	150	□ square	yes	no
450.30.D200	180	□ square	yes	no
450.35.D250	195	□ square	yes	no
450.40.D300	245	□ square	yes	no
450.20.HD150	150	□ square	no	yes
450.25.HD200	180	□ square	no	yes
450.30.HD250	195	□ square	no	yes

### E4 snapclip - clip-on cable binder

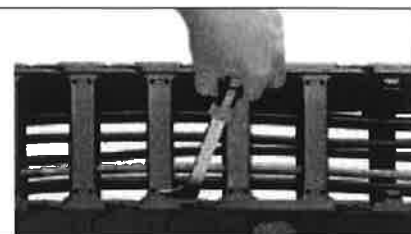
- For side-mounted applications
- Serves as a clip-on, lateral guide for hoses and cables on e-chains®
- The loops can be adjusted as required
- Compatible with many E4 e-chains®
- One clip and one locking band are needed for each e-chain® link. The complete range with order options ► [www.igus.eu/E4.56](http://www.igus.eu/E4.56)



## E4.1 | Series E4.56 | Further Accessories

### The igus® e-chain® opener reduces assembly time

e-chain® opener tools for convenient opening and closing of E4 series igus® e-chains® ● Especially for e-chains® with many crossbars the assembly is much easier ● Especially in areas difficult to access mounting is simplified big savings in assembly time. Please call us or visit ► [www.igus.eu/E4savetime](http://www.igus.eu/E4savetime)



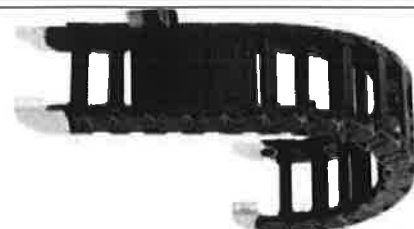
### Optional: Support tray tool kit. For support of the lower run.

Simple one-piece support trays according to your requirements and specification. The complete range with order options ► from page 740



### Heavy-Duty Version - For very long travels or high additional loads - Series 4040HD·R8840HD

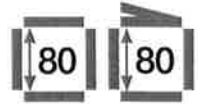
● High side-mount stability due to undercut ● High torsional rigidity and tensile stability ● Robust Steel-Mounting Brackets ● For long-term operation in very humid environments. Please call us or visit ► [www.igus.eu/4040HD](http://www.igus.eu/4040HD)



igus® System E4 e-chains® in a container-crane. High loads and high speeds also at difficult weather conditions

# E4.1 | Series E4.80 | Delivery program

Stable due to undercut design, very large inner height



**e-chains® | Series E4.80 crossbars every link** (crossbars removable along both radii)

**e-chains® | Series H4.80 crossbars every 2<sup>nd</sup> link** (crossbars removable along both radii)

**e-tubes | Series R4.80 fully enclosed** (hinged snap-open removable lids along outer radius)

Part No. e-chains® / e-tubes	Bi [mm]	Ba [mm]	E4.80 [kg/m]	H4.80 [kg/m]	R4.80 [kg/m]	Part No. e-chains® / e-tubes	Bi [mm]	Ba [mm]	E4.80 [kg/m]	H4.80 [kg/m]	R4.80 [kg/m]
E4. H4. – 80. 05. R.0	50	100	5,339	5,221	–	E4. H4. – 80. 31. R.0	312	363	6,904	6,004	–
E4. H4. – 80. 06. R.0	65	115	5,411	5,257	–	E4. H4. – 80. 32. R.0	325	375	6,988	6,046	–
E4. H4. – 80. 07. R.0	75	125	5,467	5,285	–	E4. H4. – 80. 33. R.0	337	388	7,086	6,095	–
E4. H4. – 80. 08. R.0	87	137	5,563	5,319	–	E4. H4. R4. 80. 35. R.0	350	400	7,251	6,177	9,470
E4. H4. – 80. 10. R.0	100	150	5,610	5,357	–	E4. H4. – 80. 36. R.0	362	413	7,178	6,141	–
E4. H4. – 80. 11. R.0	112	163	5,705	5,404	–	E4. H4. – 80. 37. R.0	375	425	7,257	6,180	–
E4. H4. – 80. 12. R.0	125	175	5,769	5,436	–	E4. H4. – 80. 38. R.0	387	438	7,352	6,228	–
E4. H4. – 80. 13. R.0	137	188	5,880	5,492	–	E4. H4. R4. 80. 40. R.0	400	450	7,572	6,338	10,210
E4. H4. R4. 1) 80. 15. R.0	150	200	5,911	5,507	6,720	E4. H4. – 80. 41. R.0	412	463	7,510	6,307	–
E4. H4. – 80. 16. R.0	162	213	6,003	5,553	–	E4. H4. – 80. 42. R.0	425	475	7,749	6,426	–
E4. H4. – 80. 17. R.0	175	225	6,111	5,607	–	E4. H4. – 80. 43. R.0	437	488	7,621	6,362	–
E4. H4. – 80. 18. R.0	187	238	6,202	5,653	–	E4. H4. – 80. 45. R.0	450	500	7,890	6,497	–
E4. H4. R4. 80. 20. R.0	200	250	6,248	5,676	7,230	E4. H4. R4. 80. 46. R.0	462	513	7,851	6,477	10,960
E4. H4. – 80. 21. R.0	212	263	6,306	5,705	–	E4. H4. – 80. 47. R.0	475	525	7,884	6,494	–
E4. H4. – 80. 22. R.0	225	275	6,363	5,733	–	E4. H4. – 80. 48. R.0	487	538	8,086	6,595	–
E4. H4. – 80. 23. R.0	237	288	6,453	5,778	–	E4. H4. – 80. 50. R.0	500	550	8,093	6,598	–
E4. H4. R4. 80. 25. R.0	250	300	6,543	5,824	8,060	E4. H4. – 80. 51. R.0	512	563	8,165	6,634	–
E4. H4. – 80. 26. R.0	262	313	6,618	5,861	–	E4. H4. – 80. 52. R.0	525	575	8,235	6,670	–
E4. H4. – 80. 27. R.0	275	325	6,701	5,902	–	E4. H4. – 80. 53. R.0	537	588	8,311	6,707	–
E4. H4. – 80. 28. R.0	287	338	6,749	5,926	–	E4. H4. – 80. 55. R.0	550	600	8,655	6,879	–
E4. H4. R4. 80. 30. R.0	300	350	6,873	5,988	8,730	E4. H4. – 80. 60. R.0	600	650	8,843	6,973	–

\*Radius not available for e-tubes 1) Removable lid only, no hinged option

**Available bending radii R [mm] 150\* | 200 | 250 | 300 | 350 | 400 | 500 | 550 | 600 | 1000**

Supplement Part No. with required radius (R). Examples:

**E4.80.30.300.0** = e-chain® with **crossbars every link**, inner width **Bi 300** mm, radius **R 300** mm, color black

**H4.80.30.300.0** = e-chain® with **crossbars every 2<sup>nd</sup> link**, inner width **Bi 300** mm, radius **R 300** mm, color black

**R4.80.30.300.0** = e-tube **fully enclosed**, inner width **Bi 300** mm, radius **R 300** mm, color black



**ESD/ATEX permanently conductive e-chains® - E4.80 several widths with delivery from stock:**  
Inner widths **Bi 75 - 300**, radii **R 200 - 300**. Full ESD delivery program ► [www.igus.eu/ESD](http://www.igus.eu/ESD)

# E4.1 | Series E4.80 | Dimensions



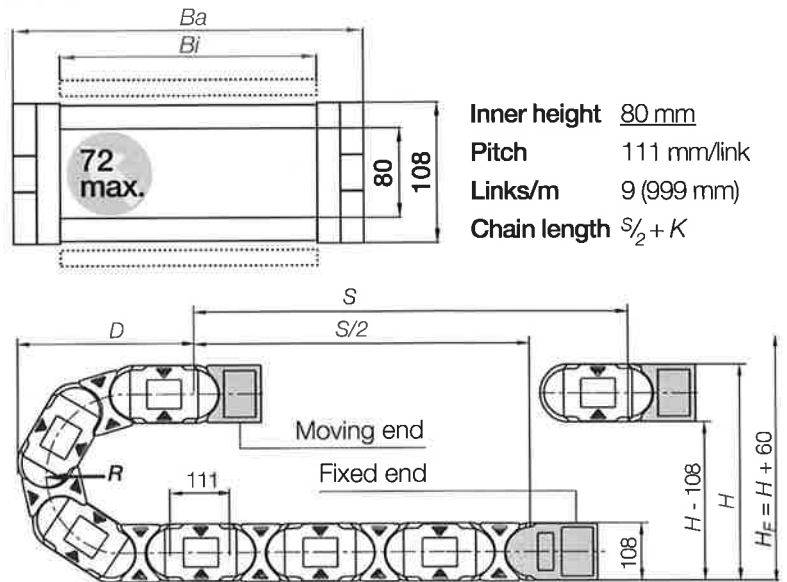
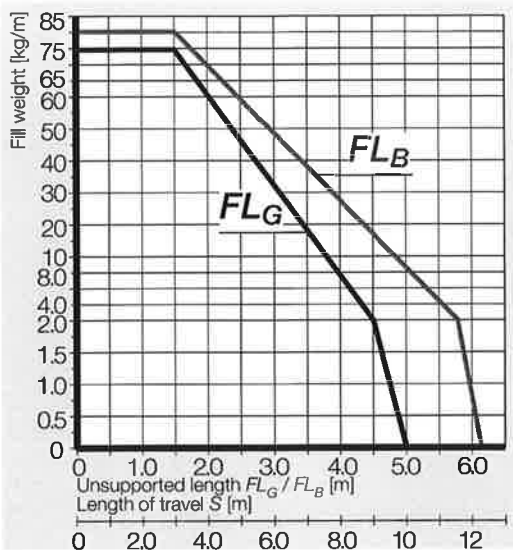
▶ 656



▶ 712

E4.80  
H4.80  
R4.80

## Unsupported applications | Short travels



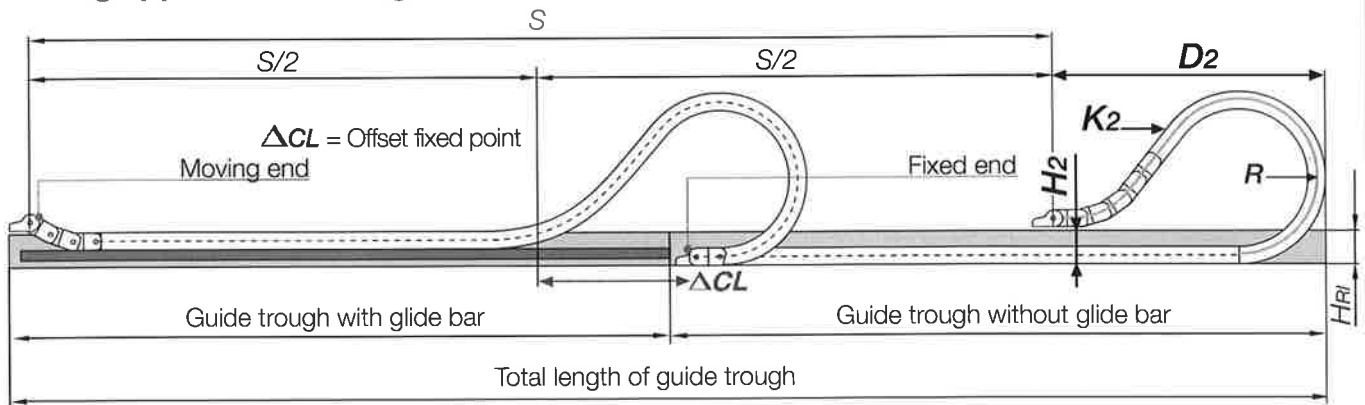
Inner height 80 mm  
Pitch 111 mm/link  
Links/m 9 (999 mm)  
Chain length  $S/2 + K$

R	150*	200	250	300	350	400	500	550	600	1000
$H_{-0}^{+25}$	408	508	608	708	808	908	1108	1208	1308	2108
D	371	421	471	521	571	621	721	771	821	1221
K	695	855	1010	1165	1325	1480	1795	1950	2110	3365

The required clearance height:  $H_F = H + 60$  mm (with 3,0 kg/m fill weight)

\*Radius not available for e-tubes

## Gliding applications | Long travels from 12 m to max. 400 m



**Note:** For long travel applications we recommend to realize the engineering of such a plant by our technicians. In case of travels between 10 and 12 m we recommend a longer unsupported length. Chain length  $S/2 + K_2$

R	150*	200	250	300	350	400	500	550	600	1000
$H_2$	242	242	242	242	242	242	242	-	-	-
$D_2^{+25}$	550	800	1000	1200	1450	1600	2100	-	-	-
$K_2$	890	1330	1665	2000	2330	2660	3440	-	-	-
$\Delta CL$	189	389	539	689	889	989	1389	-	-	-

\*Radius not available for e-tubes